

Menzi Muck **M320**
Menzi Muck **M325**
Menzi Muck **M340**

M3



**The Menzi Muck M3.
Agile, efficient and the technology leader.**

**menzi
muck**

The approved Menzi M3-series. The overview of the models.

M320

- Hydrostatic two wheel drive over the two big wheels
- Two removable shafts with two small steering wheels
- Hydraulic telescopic stabilization



M325

- Same as Menzi Muck M320 with*
- drive by two big steering wheels (hydraulic rear steering)



M340

- Hydrostatic all wheel drive over four big wheels
- P-Matic parallel-stabilization
- Option: mountain steel pads mechanically or hydraulically telescopic



Economical. Agile. Efficient. Engine, hydraulic, electric and cooling system.

APM - up to 30% fuel savings

The APM controller (Anticipating Power Management) creates a new, fast and harmonic interplay between the motor and the hydraulics. Overloading is thereby reduced to an absolute minimum. Power, Eco and Fine mode provide extra help in efficient operation of the machines. Power-lift function for maximum forces.

Deutz-Power: exhaust Tier IV

The retrofitting of a particulate filter is no longer a topic. The powerful 4-cylinder Turbo-Diesel engine of Deutz (90 KW/122 HP) meets the exhaust Tier IV.

Cooling system

Generously dimensioned cooling system (pull), three separate coordinated cooler elements for hydraulic oil/ charge air/ water, maximum cooling capacity through side-by-side arrangement of the cooling elements, variable fan motor, option: swing condenser-element for air-conditioning, reversibel fan (reverse ventilation).

Swiveling with big slewing ring

An axial piston motor with automatic multi-disc stop brake acts via a planetary gear on the internal gearing of the large-dimensioned, double-row slewing ring (Ø 1000 mm). The maximum slewing force is available over the entire speed range.

Tank contents

Operating tank
175 liters / 46.2 US-gall.
Additional fuel tank in the chassis
210 liters / 55.5 US-gall.
Content of hydraulic system
200 liters / 52.8 US-gall.

Hydraulic system

Sensitive Load Sensing hydraulic system by Linde. The harmonious operating cycle is geared towards smooth and optimised performance.
A high pressure piston pump for the working (P1), an axial piston variable pump (P2) in closed circuit for driving and a gear pump (P3) for the fan.

Hydraulic cylinders

All cylinders on the chassis are equipped with check valves (safety hose break). All cylinders on the boom are equipped with cushioning.

Hydraulic circuits

The required liter /gallons quantities of the hydraulic auxiliary circuits can be selected on the color display.

Circuit 1 (on the boom)

up to 150 l/min. - 39.6 US-gall./min. through proportional foot pedal - double acting

Circuit 2 (on the boom)

up to 100 l/min. - 26.4 US-gall./min. through proportional-rocker switch on the right joystick - double acting

Circuit 3 (on the boom)

for hydraulic quick changer from pilot pressure - double acting (option)

Hydraulic winch preparation (chassis)

up to 120 l/min. - 31.7 US-gall./min. through switch on the left joystick - double acting (option)

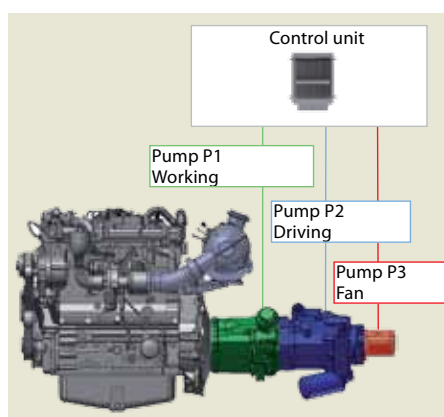
Return line (on the boom)

for hydraulic hammer

Leakage line (option)

Options

- automatic central lubrication system
- biodegradable hydraulic oil
- hydraulic affluent filter
- heavy lifting and road equipment
- hydraulic preparation for winch
- LED-additional light on the boom
- additional external tool box
- special color
- leakage line and limiter
- electrically switchable check valves
- additional safety valves on the dipper cylinder
- lock out switch



Menzi Muck the technology leader. Innovations that make us number one.

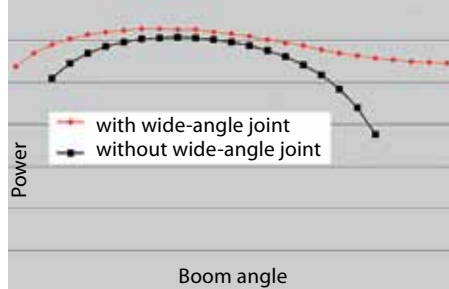
World innovation: Menzi powerboom

There is a lot of innovation in the proven and unique boom of the M-series. Unique to Menzi Muck, the boom cylinder is mounted horizontally in the center part. Collisions at the boom cylinder are therefore impossible.

Wide-angle kinematics with power booster

The kinematics of Menzi Muck opens new dimensions: optimum work in the close-up range at the minimum possible swivel radius is contrasted with maximum stretching of the boom. The Menzi power booster thereby supplies the highest possible forces over the whole working range.

Kinematics comparison at the dinner



Unrivaled forces

Lifting capacity @ 3.0 m	6200 kg / 13669 lb
Lifting capacity @ 4.5 m	3800 kg / 8378 lb
Lifting capacity @ 6.0 m	2700 kg / 5952 lb
Breakout force	90000 N / 9178 kp
Ripping force	54000 N / 5506 kp

**menzi
muck**



Tool management

The required litre/US-gall. volumes can be stored at the display for up to 15 accessories. Simply select the corresponding preprogramming to change the tool.

Q1:	123 l/min
Q2:	123 l/min
Q3:	123 l/min
Q4:	123 l/min
P4:	123 bar
N4:	123 l/min
Ramp:	2s



Digging arc comparison

The new arm kinematics results in 18 % more working area.



The panorama cockpit. The operator is most important.

Numerous cab options

- air-conditioning
- heater with time clock
- turning light and lighting system on the roof with up to 10 LED- or Xenon-spotlights
- four point safety belt (suspenders)
- rearview camera
- FOPS-roof
- protective grid on the windshield
- security glazing (polycarbonat/lexan)

Panorama cockpit

A free view of the entire working environment, the support and the wheels, provide the operator with safety and complete control in all situations. The spacious cab provides a perfect sense of space and many practical details for relaxed working.

Comfort and safety

From the ergonomic joystick with proportional rocker and hand support to the air-suspended operator's seat right up to adjustable armrests and foot pedals, no stone has been left unturned to provide the operator with a maximum of comfort.

Extensive standard equipment

„Roll-Over-Protection-System“ – ROPS according to DIN ISO 3471, cast parts at the upper structure used as fenders, side and rear covers are opened supported by gas-pressure springs, diesel fuel pump with auto stop, cyclone air filter, integrated tool box, DAB+ radio with CD/MP3-player, powerful heating with seven individual adjustable air nozzles, pollen and recirculated air filter, 8 spotlights (4 in the front, 4 in the rear), etc.

Dashboard with LCD-Display

Clear and ergonomic arranged instrument panel. Analog controls with integrated color display to show the most important indicators. Various control elements with LED-illuminated toggles switches.



The Menzi Muck M3.

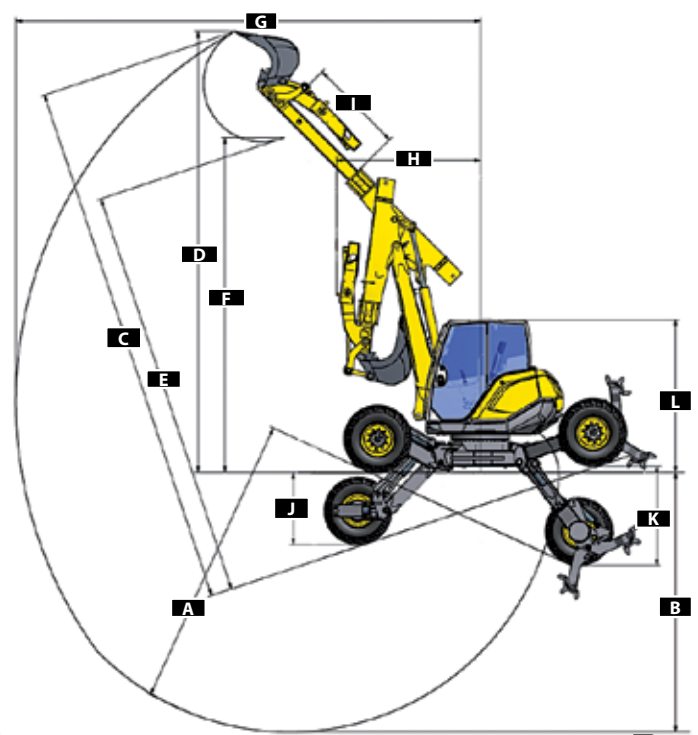
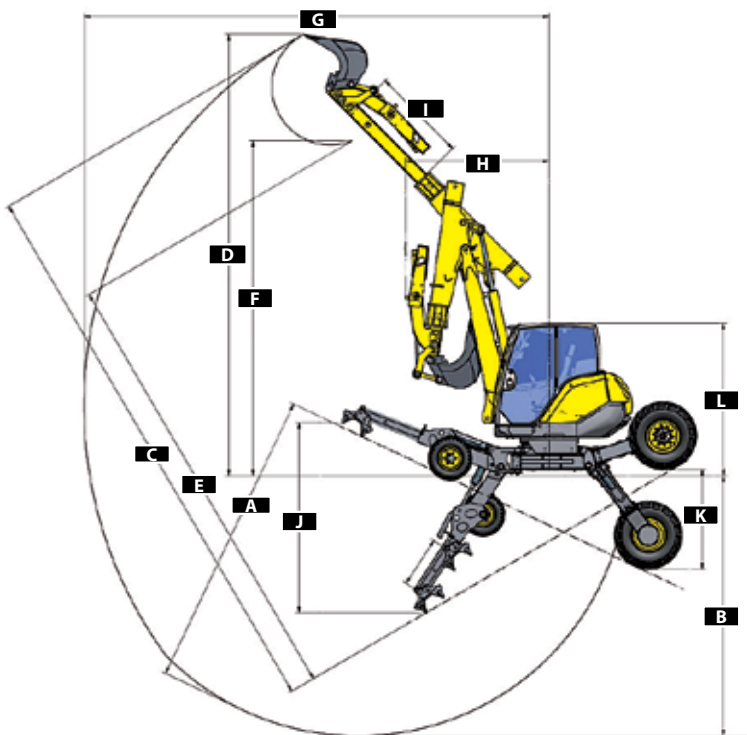
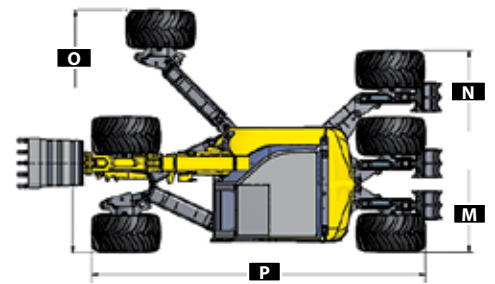
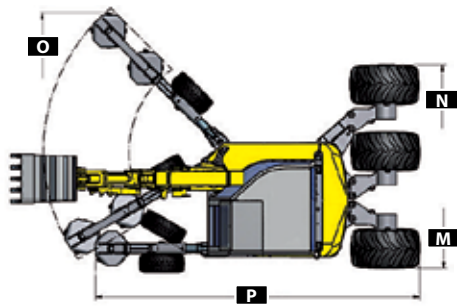
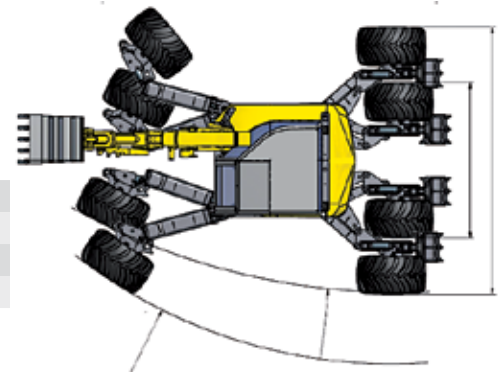
The climbing specialist.

Dimensions in mm / "		M320		M325		M340	
A	Max. Excavation depth with adjusted chassis	5000	16'4"	5000	16'4"	4910	16'1"
B	Max. Excavation depth chassis horizontal	4350	14'3"	4350	14'3"	4350	14'3"
C	Max. Excavation height with adjusted chassis	9390	30'9"	9450	31'	8830	28'11"
D	Max. Excavation height chassis horizontal	7380	24'2"	7380	24'2"	7380	24'2"
E	Max. Discharge height with adjusted chassis	7440	24'4"	7500	24'7"	6890	22'7"
F	Max. Discharge height chassis horizontal	5600	18'4"	5600	18'4"	5600	18'4"
G	Max. Jib Range	7770	25'5"	7770	25'5"	7770	25'5"
H	Min. Swivelling radius	2410	7'10"	2410	7'10"	2410	7'10"
I	Dipper length	1600	5'3"	1600	5'3"	1600	5'3"
J	Positioning range stabilizers (M340: front wheels)	3180	10'5"	3180	10'5"	1220	4'
K	Positioning range hub drive (M340: rear wheels)	1660	5'5"	1670	5'5"	1660	5'5"
L	Transport height	2550	8'4"	2550	8'4"	2550	8'4"
M	Minimum width hub drive, transport width	2220	7'3"	2350	7'8"	2220	7'3"
N	Max. positioning width hub drive (M340: rear wheels)	4380	14'4"	4600	15'1"	5700	18'8"
O	Max. positioning width stabilizers (M340: front wheels)	6100	20'	6100	20'	5460	17'11"
P	Chassis length	5275	17'3"	5500	18'	5880	19'3"

Dimensions without Powerlift. Technical data vary upon tyre/tool



	M320		M325		M340	
Turning radius	7000 mm	22'11"	5200 mm	17'	8100 mm	26'6"
Weight without accessories	8500 kg	18739 lb	8800 kg	19400 lb	10200 kg	22487 lb
Speed	12 km/h	7.5 mph	12 km/h	7.5 mph	10 km/h	6.2 mph



More information.



www.menzimuck.com

- entire product range
- distributors, service network and event calendar
- company infos
- calendar of trade fairs and open doors
- fanshop
- multimedia (brochures, guides, photographs, videos, ...)
- multilingual
- and much more

facebook

www.facebook.com/menzimuck.com

- the history of the Menzi Muck
- product and company news
- discussions over the Menzi Muck
- events
- contributions from other Menzi Muck operators and fans

You Tube

www.youtube.com/menzimuck.com

- events and special reports
- TV-reports
- Menzi Muck working
- accessories in action