

Menzi Muck **M320**
Menzi Muck **M325**
Menzi Muck **M335**
Menzi Muck **M340**

M3



**The Menzi Muck M3.
Agile, efficient and the technology leader.**

**menzi
muck**

The approved Menzi M3-series. The overview of the models.



M320

- Hydrostatic two wheel drive over the two big wheels
- Two removable shafts with two small steering wheels
- Hydraulic telescopic stabilization



M325

- Same as Menzi Muck M320 with*
- drive by two big steering wheels (hydraulic rear steering)

M335

- Hydrostatic four wheel drive over two big and two small wheels
- Hydraulic telescopic stabilization
- drive by two big steering wheels (hydraulic rear steering)
- Option: mechanical lifting axle, lockable hydraulically



M340

- Hydrostatic all wheel drive over four big wheels
- P-Matic parallel-stabilization
- Option: mountain steel pads mechanically or hydraulically telescopic



Economical. Agile. Efficient. Engine, hydraulic, electric and cooling system.

APM - up to 30% fuel savings

The APM controller (Anticipating Power Management) creates a new, fast and harmonic interplay between the engine and the hydraulics. Overloading is thereby reduced to an absolute minimum. Power, Eco and Fine mode provide extra help in efficient operation of the machines. Power-lift function for maximum forces.

Engine

The powerful Deutz 4-cylinder turbo diesel engine with 100 kW/136 hp has been ideally adapted to the overall system and guarantees minimum fuel and overall operating costs.

Deutz

With this EU V standard engine, Deutz is relying on selective catalytic reduction, consisting of SCR catalytic converter and additional components, such as injector and AdBlue® supply. Protecting the environment by effectively minimising nitrogen oxide while maintaining the output.

Deutz T3A

Engines with emission standard IIIA are suitable for exports to unregulated countries. Please do not hesitate to contact your customer advisor for more information. www.menzimuck.com/en/service-and-sales/

Cooling

A generously dimensioned, naturally aspirated cooling system for hydraulic oil, charge air and water, three adapted radiator elements, maximum cooling output thanks to side-by-side cooling element arrangement, variable fan motor featuring demand-based drive control and optionally a swivelling condenser element for the air conditioning as well as reversible fan.

Swiveling with big slewing ring

An axial piston motor with automatic multi-disc stop brake acts via a planetary gear on the internal gearing of the large-dimensioned, double-row slewing ring (Ø 1000 mm). The maximum slewing force is available over the entire speed range.

Tank contents

Operating tank: 145 liters / 38.3 US-gall.
Additional fuel tank in the chassis: 210 liters / 55.5 US-gall.
AdBlue tank: 20 liters / 5.28 US-gall.
Content of hydraulic system: 200 liters / 59.4 US-gall.

Hydraulic system

Sensitive Load Sensing hydraulic system by Linde. The harmonious operating cycle is geared towards smooth and optimised performance.

Hydraulic cylinders

All cylinders on the chassis are equipped with check valves for safety. All cylinders on the boom are equipped with cushioning.

Hydraulic circuits

The required liter /gallons quantities of the hydraulic auxiliary circuits can be selected on the color display.

Circuit 1 (on the boom)

up to 150 l/min. - 39.6 US-gall./min. through proportional foot pedal - double acting

Circuit 2 (on the boom)

up to 100 l/min. - 26.4 US-gall./min. through proportional-rocker switch on the right joystick - double acting

Circuit 3 (on the boom)

for hydraulic quick changer from pilot pressure - double acting (option)

Hydraulic winch preparation (chassis)

up to 120 l/min. - 31.7 US-gall./min. through switch on the left joystick - double acting (option)

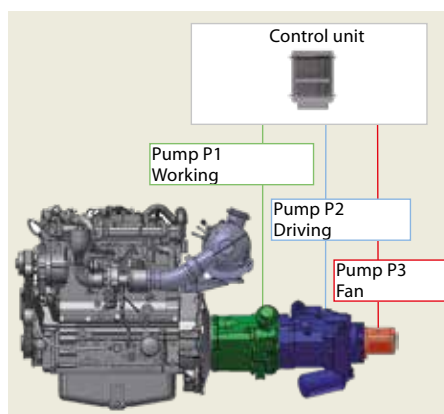
Return line (on the boom)

for hydraulic hammer

Leakage line (option)

Options

- automatic central lubrication system
- biodegradable hydraulic oil
- hydraulic affluent filter
- heavy lifting and road equipment
- hydraulic preparation for winch
- leakage line
- lifting limiter
- electrically switchable check valves



Menzi Muck the technology leader. Innovations that make us number one.

Menzi powerboom

There is a lot of innovation in the proven and unique boom of the M-series. Unique to Menzi Muck, the boom cylinder is mounted horizontally in the center part. Collisions at the boom cylinder are therefore impossible.

Wide-angle kinematics with power booster

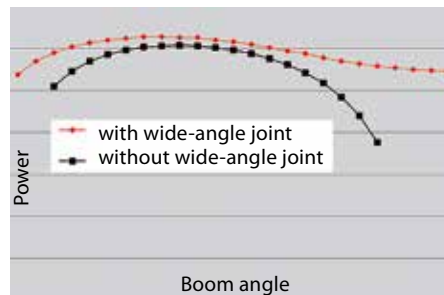
The kinematics of Menzi Muck opens new dimensions: optimum work in the close-up range at the minimum possible swivel radius is contrasted with maximum stretching of the boom. The Menzi power booster thereby supplies the highest possible forces over the whole working range.

Maximum telescopic power

A new, sophisticated, hydraulic gearing enables ideal use of the telescopic arm in any operating situation. The gearing multiplies the applicable force at the telescope. An ideal force/speed relation is generated in combination with the wide angle kinematics.

Unrivaled forces

Lifting capacity @ 3.0 m	6200 kg / 13669 lb
Lifting capacity@ 4.5 m	3800 kg / 8378 lb
Lifting capacity@ 6.0 m	2700 kg / 5952 lb
Breakout force	90 kN / 20230 lbf
Ripping force	58 kN / 13040 lbf
Thrust force telescope	178 kN
Swing torque	44 kNm

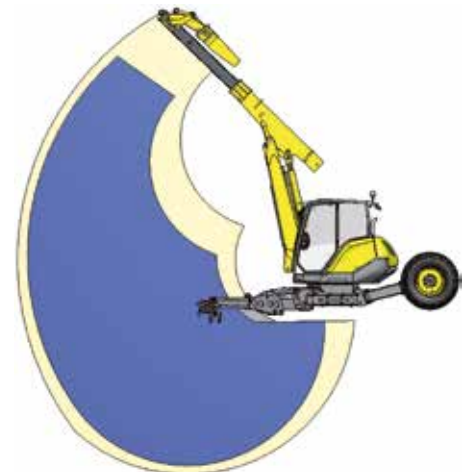


Tool management

The required litre/US-gall. volumes can be stored at the display for up to 15 accessories. Simply select the corresponding preprogramming to change the tool.

Digging arc comparison

The new arm kinematics results in more working area.



menzi
muck

The panorama cockpit. The operator is most important.

Panorama cockpit

A free view of the entire working environment, the support and the wheels, provide the operator with safety and complete control in all situations. The spacious cab provides a perfect sense of space and many practical details for relaxed working.

Comfort and safety

From the ergonomic joystick with proportional rocker and hand support to the standard air-suspended Grammer operator's seat right up to adjustable armrests and foot pedals, no stone has been left unturned to provide the operator with a maximum of comfort.

Comprehensive standard equipment

"Roll-Over Protection System" – ROPS as per (DIN ISO 3471), cast parts on the upper structure as impact protection, side and rear panels featuring gas shocks to facilitate opening, reversing camera, diesel input pump including limit stop, cyclone air filter, integrated tool compartment, DAB+ radio, CD/MP3 player, powerful heating with seven individually adjustable air vents, pollen and air recirculation filter, five LED headlights (three facing forwards, two facing towards the rear), etc.

Dashboard with LCD-Display

Clear and ergonomic arranged instrument panel. Analog controls with integrated color display to show the most important indicators. Various control elements with LED-illuminated toggles switches.



Numerous cab options

- air-conditioning
- Grammer Evolution operator's seat
- heater with time clock
- rotating beacon
- lighting system on the roof with up to 10 LED- spotlights
- four point safety harness
- FOPS security grid roof
- protective grid on the windshield
- security glazing (polycarbonate/lexan)
- LED-additional light on the boom
- additional external tool box
- special color
- telediagnostic service / lock out switch



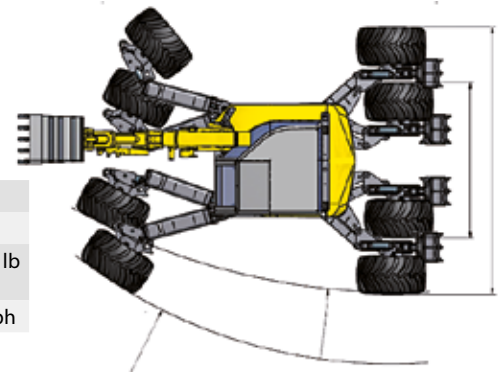
The Menzi Muck M3.

The climbing specialist.

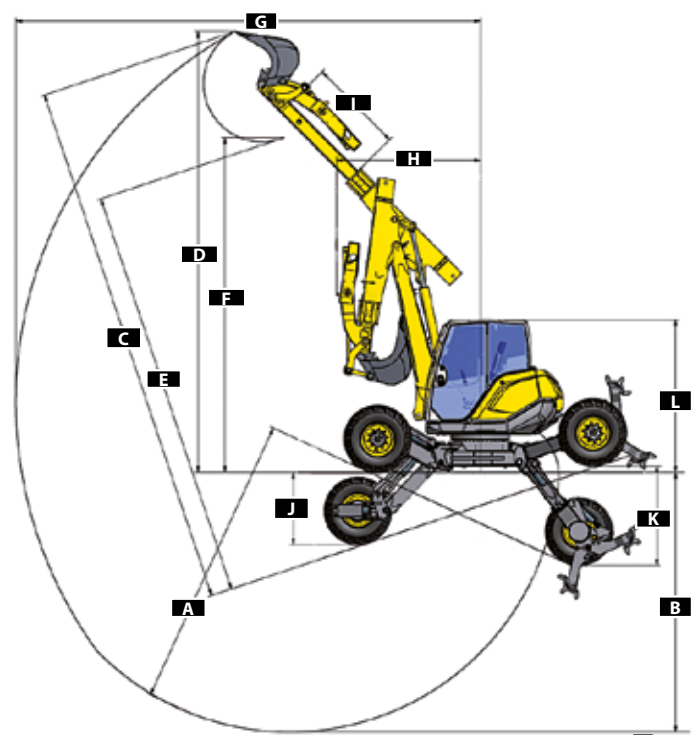
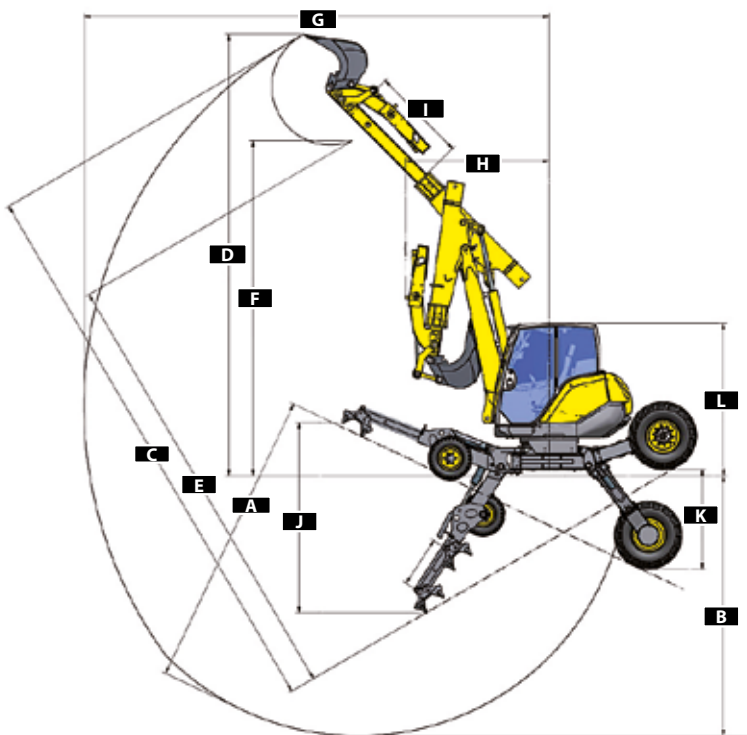
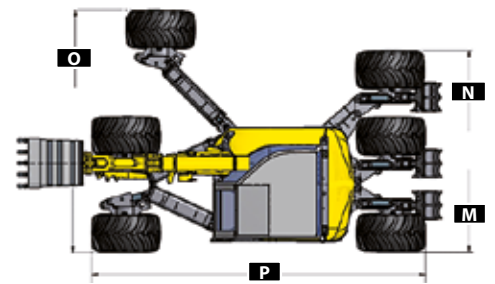
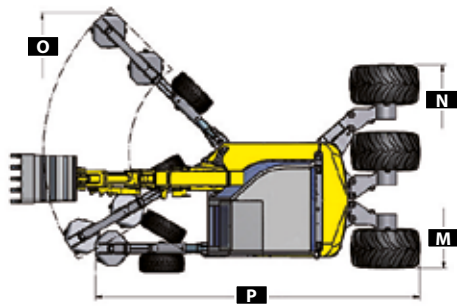
Dimensions in mm / "		M320		M325		M335		M340	
A	Max. Excavation depth with adjusted chassis	5000	16'4"	5000	16'4"	5000	16'4"	4910	16'1"
B	Max. Excavation depth chassis horizontal	4350	14'3"	4350	14'3"	4350	14'3"	4350	14'3"
C	Max. Excavation height with adjusted chassis	9390	30'9"	9450	31'	9450	31'	8830	28'11"
D	Max. Excavation height chassis horizontal	7380	24'2"	7380	24'2"	7380	24'2"	7380	24'2"
E	Max. Discharge height with adjusted chassis	7440	24'4"	7500	24'7"	7500	24'7"	6890	22'7"
F	Max. Discharge height chassis horizontal	5600	18'4"	5600	18'4"	5600	18'4"	5600	18'4"
G	Max. Jib Range	7770	25'5"	7770	25'5"	7770	25'5"	7770	25'5"
H	Min. Swivelling radius	2410	7'10"	2410	7'10"	2410	7'10"	2410	7'10"
I	Dipper length	1600	5'3"	1600	5'3"	1600	5'3"	1600	5'3"
J	Positioning range stabilizers (M340: front wheels)	3180	10'5"	3180	10'5"	3180	10'5"	1220	4'
K	Positioning range hub drive (M340: rear wheels)	1660	5'5"	1670	5'5"	1670	5'5"	1660	5'5"
L	Transport height	2550	8'4"	2550	8'4"	2550	8'4"	2550	8'4"
M	Minimum width hub drive, transport width	2220	7'3"	2350	7'8"	2360	7'8"	2220	7'3"
N	Max. positioning width hub drive (M340: rear wheels)	4380	14'4"	4600	15'1"	4600	15'1"	4380	14'4"
O	Max. positioning width stabilizers (M340: front wheels)	6100	20'	6100	20'	6100	20'	5700	18'8"
P	Chassis length	5275	17'3"	5500	18'	5500	18'	5460	17'11"

Dimensions without Powerlift. Technical data vary upon tyre/tool





	M320		M325		M335		M340	
Turning radius	7000 mm	22'11"	5200 mm	17'	5200 mm	17'	8100 mm	26'6"
Weight without accessories	9400 kg	20723 lb	9900 kg	21826 lb	10600 kg	23369 lb	10700 kg	23589 lb
Speed	12 km/h	7.5 mph	12 km/h	7.5 mph	11 km/h	6.8 mph	10 km/h	6.2 mph



More information.



www.menzimuck.com

- entire product range
- distributors and service network
- company infos
- calendar of trade fairs and open doors
- multimedia (brochures, guides, photographs, videos, ...)
- multilingual
- and much more



www.facebook.com/menzimuckcom

- product and company news
- discussions over the Menzi Muck
- events
- contributions from other Menzi Muck operators and fans
- history of the Menzi Muck



www.youtube.com/menzimuckcom

- events and special reports
- TV-reports
- Menzi Muck working
- accessories in action



https://www.menzimuck.com/gebrauchtmarkt/

- several used machines/accessories with foto
- free ads for private offers and requests